



SIE

SERIES

TDS Control

SIE blowdown control valves have been specifically designed for the blowdown of steam boilers or for other high pressure drop, low flow applications, and are generally used with a blowdown controller. The flowrate is adjusted by setting the stroke of the valve spindle. These valves have been specially designed to minimize seat & plug erosion and ensure consistent tight shut-off.

A ¼" plug at the base of the valve may be removed to allow a sample cooler to be fitted.

Three versions are available:

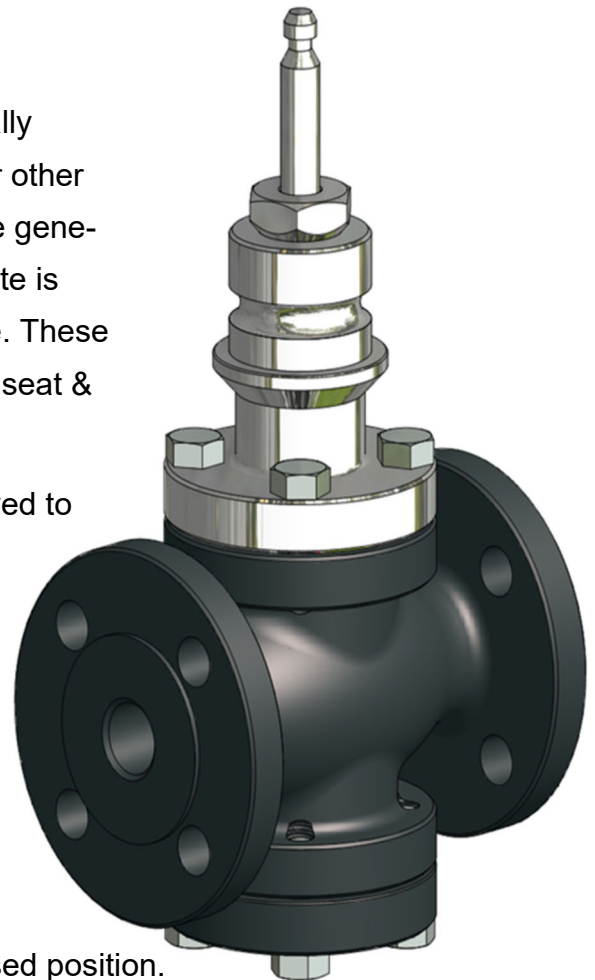
- Electrohydraulically actuated
- Electrically actuated
- Pneumatically actuated

Operation

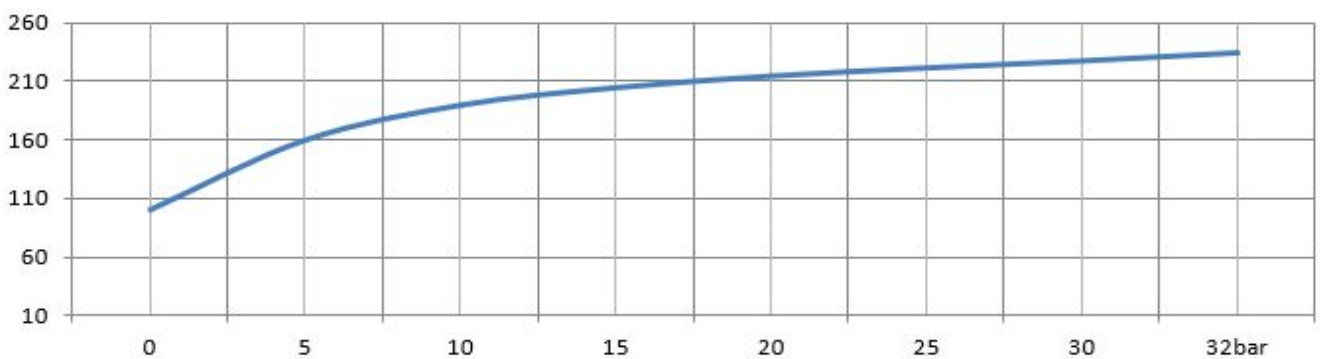
SIE control valves are supplied loaded to the closed position.

Electrical version: Connecting the power to the actuator valve opens to the position set by the internal limit switch.

Pneumatic version: Energizing the solenoid valve, air get into the actuator opening the valve to the selected stroke.



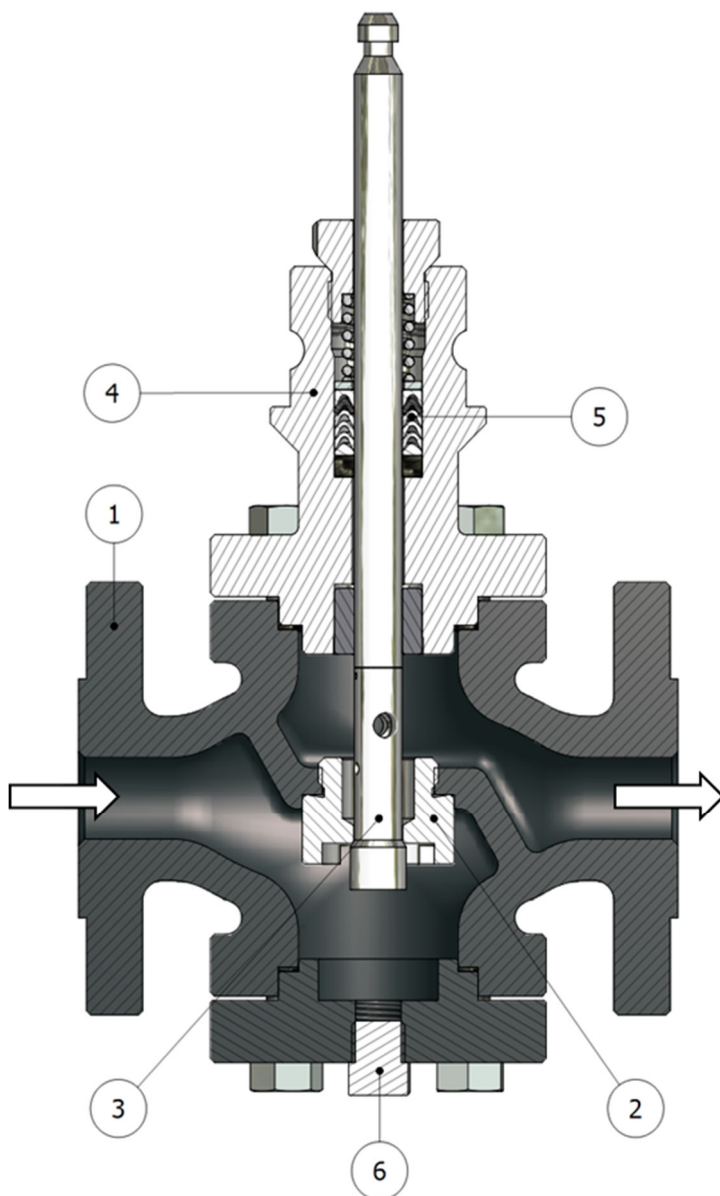
Pressure/Temperature Limits



Max Operating Pressure : 32 Barg / Max Operating Temperature : 240 °C

Capacities

Boiler Pressure (bar)	Low Flowrate (5mm Stroke)	Medium Flowrate (15mm Stroke)	High Flowrate (20mm Stroke)
5	380	530	730
7	460	710	1150
10	570	950	1500
15	700	1150	1650
20	780	1250	1700
32	940	1500	1800



Legenda

- 1 Body Valve
- 2 Seat Ring
- 3 Plug
- 4 Valve Bonnet
- 5 Stuffing Box
- 6 Sampling Intake

Valve Body Characteristic

Style	Top Entry, Single seat, Globe Valve
Sizes	DN20 / DN 25 / DN40
Pressure Rating	PN40
Body Face to Face	According to EN 558-1
Flanges Connections	EN 1092-1

Std Body & Trim Material Combination

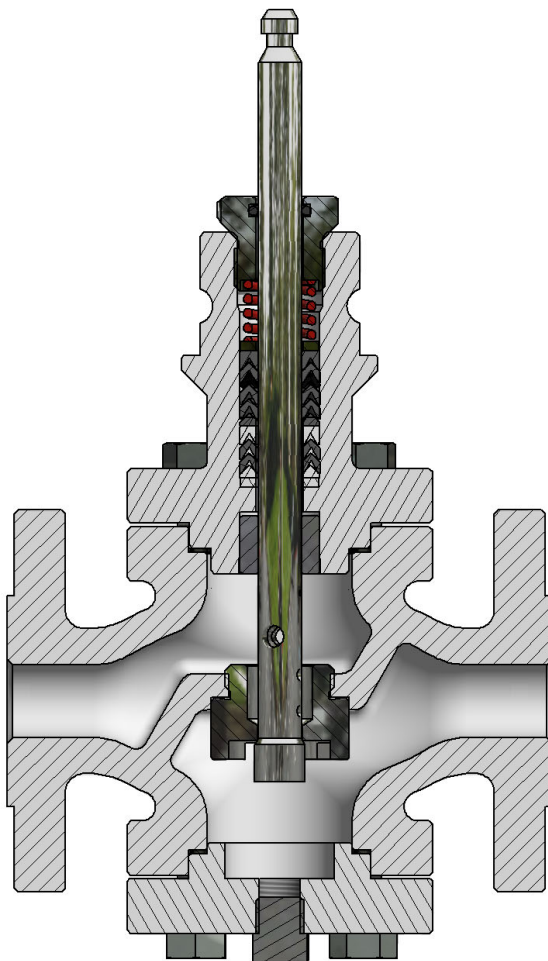
Valve Body (ANSI150/300) Carbon Steel A216 WCC	Bonnet : A105 Trim: ASTM A213 Type 316 + QPQ
Valve Body (ANSI150/300) Stainless Steel A351 CF8M	Bonnet : 316 St.St. Trim: ASTM A213 Type 316 + QPQ

Electric Actuator

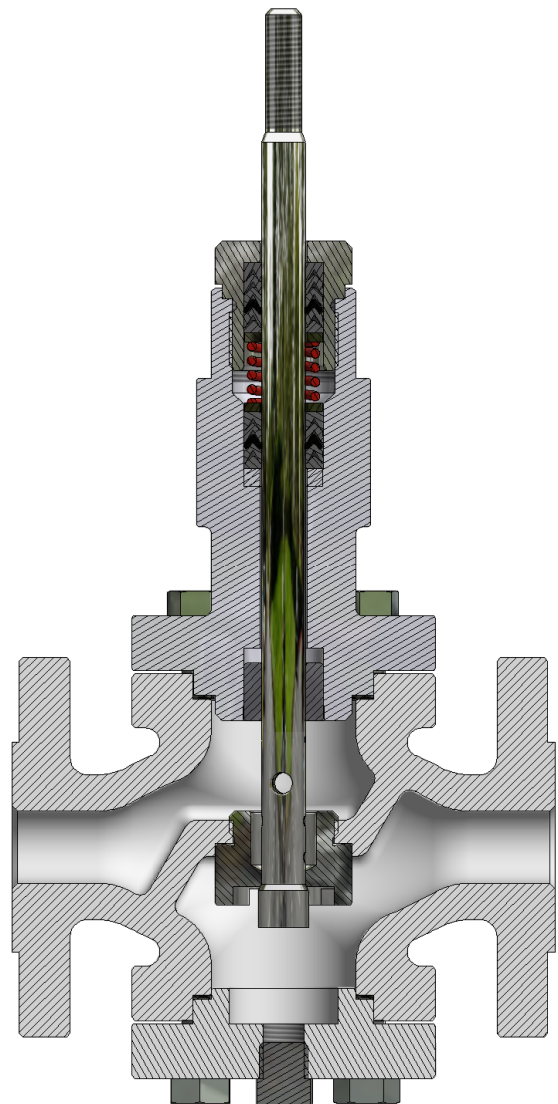
	230V Supply Voltage
	187-264 Vac / 50-60 Hz
Power Supply	24V Supply Voltage
	19—28 Vac / 50-60 Hz
Power Consumption	16 VA

Pneumatic Actuator

Type	Multispring Diaphragm
Control Signal	6+18 psi , 6+30 psi
Max Air Supply Pressure	50psi (3.5bar)



Clamp Bonnet Connection



Threaded Bonnet Connection

