

SY - SW limit switch box series

Limit switch box for heavy duty explosionproof applications in the oil & gas and petrochemical industries, both on-shore and off-shore.

Features

- Twin shaft design
- Metallic self lubricating bushings
- Copper free aluminium or 316 stainless steel housing option for maximum corrosion protection
- Up to four cable entries either metric or imperial
- Multiple indicator options
- Easy wiring through the terminal PCB board
- High volume for the maximum wiring comfort
- Optional position transmitter board
- Suitable for arctic environments

Approvals

ATEX, IECEx, EAC, CCOE, INMETRO, NEPSI:

Ex II 2GD Ex db IIC T4/T5/T6 Gb

Ex tb IIIC T140/T110/T110°C Db

Ta: -60 °C ≤ Ta ≤ 105 °C / 80 °C / 60 °C

UL:

Class I Division 1 Groups B,C,D Division 2 Groups A, B, C, D

Class II Division 1 Groups E,F,G Division 2 Groups F, G

SIL certificate: Up to SIL 3 certified by TÜV

Protection rating: IP66/68 10 m for 48 hours
NEMA 4 4X on request

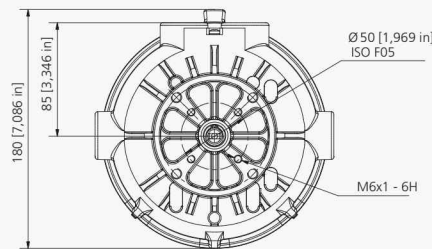
Temperature:

-40 to +80 °C (-40 to +176 °F) as standard temperature range

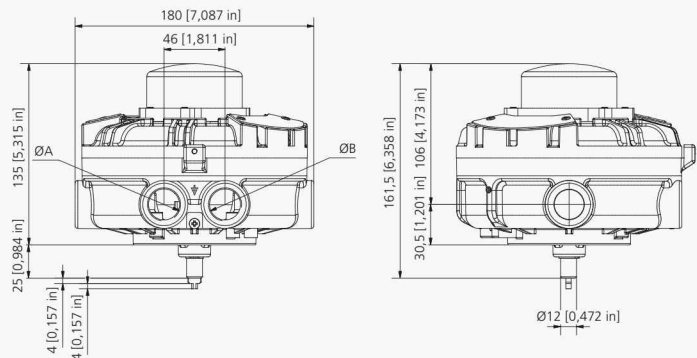
-60 to +105 °C (-76 to +221 °F) available on request



SY limit switch box



SW limit switch box



SY - SW limit switch box series

Nomenclature

SY N1 2 0 0 - 1 0 X 2 3 A 4

Box

SY = Copper free aluminium enclosure
SW = Stainless steel 316 enclosure

Switch

01 = Electro mec. switch, SPDT, silver contacts, up to SIL3 (Switch qty: 2,3,4; Terminal digit: 0; temp digit: L)
03 = Electro mec. switch, SPDT, gold contacts, up to SIL3, Exia ready, (Switch qty: 1,2,3,4; Terminal digit: 0; temp digit: L)
1F = Electro mec. switch, DPDT, silver contacts, up to SIL3 (Switch qty: 1,2; Terminal digit: 0; temp digit: L)
06 = Electro mec. switch, SPDT, gold contacts, up to SIL3, Exia ready, (Switch qty: 1,2; Terminal digit: 0; temp digit: L)
C4 = Magnetic reed SPDT, hermetically sealed, up to SIL3, Exia ready, (Switch qty: 1,2,3,4; Terminal digit: 0; temp digit: L, P)
C8 = Magnetic reed DPDT, hermetically sealed, up to SIL3, Exia ready, (Switch qty: 1,2,3,4; Terminal digit: 0; temp digit: L, P)
N1 = Mag. proximity SPDT silver hermetically sealed up to SIL3, (Switch qty: 1,2,3,4; Terminal digit: 0; temp digit: L, M)
N3 = Mag. proximity SPDT gold hermetically sealed up to SIL3, Exia ready, (Switch qty: 1,2,3,4; Terminal digit: 0; temp digit: L, M)
N4 = Mag. proximity DPDT silver hermetically sealed up to SIL3, (Switch qty: 1,2,3,4; Terminal digit: A; temp digit: L, M)
32 = Inductive proximity NBN4-12GM40-Z0 2 wires, (Switch qty: 1,2,3,4; Terminal digit: 0; temp digit: F)
73 = Inductive proximity NBB2-V3-E2, PNP NO, up to SIL3, Exia ready, (Switch qty: 1,2,3,4; Terminal digit: 0; temp digit: F)
75 = Inductive proximity IS5026, 2 wire, NO /NC, (Switch qty: 1,2,3,4; Terminal digit: 0; temp digit: E)
70 = Inductive NAMUR proximity NJ2-V3-N, 2 wire, up to SIL3, Exia ready, (Switch qty: 1,2,3,4; Terminal digit: 0; temp digit: E)
62 = Inductive NAMUR proximity SJ 3,5 SN, 2 wire, 8V DC, up to SIL3, Exia ready, (Switch qty: 1,2,3,4; Terminal digit: 0, A; temp digit: L, M)
T0 = 4-20mA analog position transmitter, (Switch qty: 0; Terminal digit: A; temp digit: L)
T1 = 4-20mA analog position transmitter + electro mec. switch, SPDT, silver contacts, (Switch qty: 1,2; Terminal digit: A; temp digit: L)
T4 = 4-20mA analog position transmitter + mag. reed switch, SPDT, (Switch qty: 1,2; Terminal digit: A; temp digit: L)
H0 = 4-20mA HART position transmitter, Exia ready, (Switch qty: 0; Terminal digit: A; temp digit: L)
H4 = 4-20mA HART position transmitter + mag. reed switch, SPDT, (Switch qty: 1,2; Terminal digit: A; temp digit: L)
P0 = Partial Stroke Test capabilities with remote or local magnetic key activation (Switch qty: 3; Terminal digit: A; temp digit: L, M)

See additional information and options on pages 14-19

Switch Quantity

0 = no switches for digital feedback
1 = N° 1 switch (related to switch description)
2 = N° 2 switch (related to switch description)
3 = N° 3 switch (related to switch description)
4 = N° 4 switch (related to switch description)

Terminals

0 = Pre-wired terminal strip with additional extra poles for solenoid valve connection (for switches 01, 03, 1F, 06 C4, C8, N1, N3, N4, 32, 70, 62, 73, 75)
A = Pre-wired terminals without solenoid valve connection (for switches 62, T0, T1, T4, H0, H4, P0)

Coating

0 = Black powder coating (SY Series)
E = Electro polish finishing (SW Series)

Cable Entries

1 = 2 cable entries 1/2" NPT
2 = 2 cable entries M20 x 1.5p
T = 4 cable entries 1/2" NPT
7 = 2 cable entries 3/4" NPT
Z = 4 cable entries 3/4" NPT

Visual Position Indicator

0 = 3D plastic visual position indicator red and green
2 = 3-position indicator (T-port 180 deg. Blocked centre)
A = 3-position indicator (L-port)
B = 3-position indicator (T-port 180 deg.)
T = 3D stainless steel position indicator

See additional information and options on page 11

Approval

X = ATEX and IECEx certified box
G = EAC certification for Russian market
I = INMETRO certification for Brazilian market
N = NEPSI certification for Chinese market
J = CCOE certification for Indian market
U = UL certified box
W = Weather proof

See additional information and options on page 13

Marking

0 = Standard location
2 = Certification marking: Ex II 2GD Exd IIC
7 = cULus Class 1/2 Div1
8 = cULus Class 1/2 Div 1/2 with (with switches code: C4,C8,N1,N3)

See additional information and options on page 13

IP Protection rating

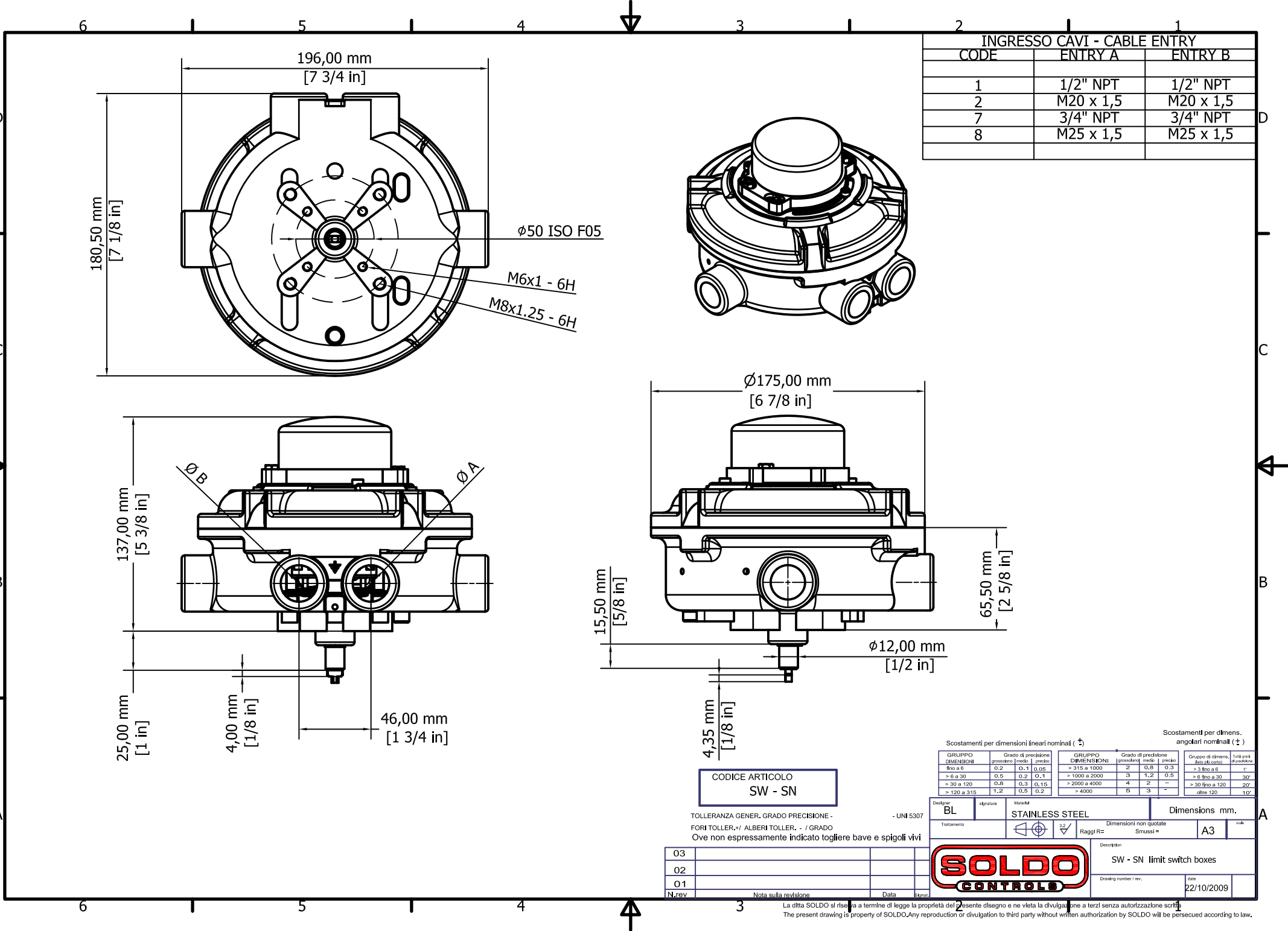
3 = Weather proof IP66/IP68
7 = NEMA 4 and 4X

Temperature

L = Ambient temperature range: -40 to +80 °C (-40 to +176 °F) (standard for all switch options, excluding: 32, 70, 73, 75)
E = Ambient temperature range: -25 to +80 °C (-13 to +176 °F) standard for switch 70, 75
F = Ambient temperature range: -25 to +70 °C (-13 to +158 °F) standard for switches 32, 73.
M = Ambient temperature range: -50 to +80 °C (-58 to +176 °F) extended temp range for switches N1, N3, N4, P0)
P = Ambient temperature range: -60 to +80 °C (-76 to +176 °F) for switch codes C4 and C8 (extended temp range for switches C4, C8)

Material

4 = Copper free aluminium heavy duty body and cover (SY series)
6 = 316 stainless steel heavy duty enclosure (SW series)



INGRESSO CAVI - CABLE ENTRY		
CODE	ENTRY A	ENTRY B
1	1/2" NPT	1/2" NPT
2	M20 x 1,5	M20 x 1,5
7	3/4" NPT	3/4" NPT
8	M25 x 1,5	M25 x 1,5

CODICE ARTICOLO
SW - SN

TOLLERANZA GENER. GRADO PRECISIONE - UNI 5307
FORI TOLLER./ ALBERI TOLLER. - / GRADO
Ove non espressamente indicato togliere bave e spigoli vivi

03			
02			
01			
N.rev	Nota sulla revisione	Data	Segno

Scostamenti per dimensioni lineari nominali (±)				Scostamenti per dimens. angolari nominali (±)			
GRUPPO DIMENSIONI	Grado di precisione		GRUPPO DIMENSIONI	Grado di precisione		Gruppo di dimens. angolari	Tolleranza angolare
	prezioso	medio		prezioso	medio		
fino a 6	0,2	0,1	> 315 a 1000	2	0,8	> 3 fino a 6	1'
> 6 a 30	0,5	0,2	> 1000 a 2000	3	1,2	> 6 fino a 30	30"
> 30 a 120	0,8	0,3	> 2000 a 4000	4	2	> 30 fino a 120	20"
> 120 a 315	1,2	0,5	> 4000	5	3	oltre 120	10"

Disegno: BL	Trattamento	Materiali: STAINLESS STEEL	Dimensioni mm.	
Autografo	3,2	Raggi R=	Smussi =	A3
Description: SW - SN limit switch boxes			Date: 22/10/2009	

SOLDO CONTROLS

La ditta SOLDO si riserva a termine di legge la proprietà del presente disegno e ne vieta la divulgazione a terzi senza autorizzazione scritta.
The present drawing is property of SOLDO. Any reproduction or divulgation to third party without written authorization by SOLDO will be persecuted according to law.